

## ROUND CABLE EMI CORES / LF TYPE

### FEATURES

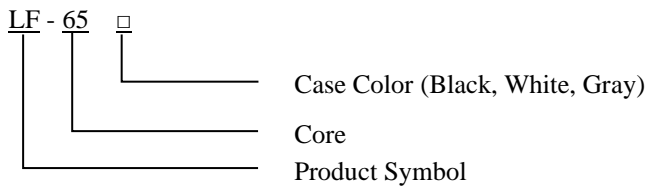
- ◆ Easy installation
- ◆ Internal dimensions are from 4mm to 19 mm diameter.
- ◆ The smooth surface prevents damage to wire insulation.



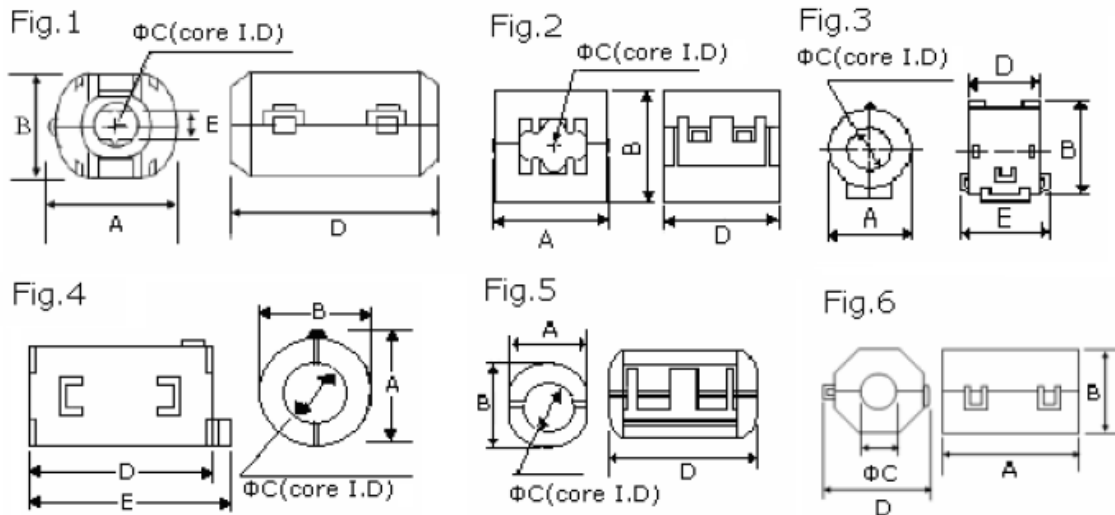
### APPLICATIONS

- ◆ Internal and external power cables
- ◆ Internal cables between pc boards and data connectors
- ◆ Computer peripherals, for example digital camera, DVD, fax machine, monitor, printer, and power supply cables

### ORDERING CODE



### SHAPES



CORE MASTER ENTERPRISE CO., LTD.

<http://www.coremaster.com.tw>

## ROUND CABLE EMI CORES / LF TYPE

**DIMENSIONS (UNIT:mm)**

Part No.	Fig.	A (±1)	B (±1)	C (±1)	D (±1)	E (±1)	Impedance (Ω) Min		Use Cable OD
							25 MHz	100 MHz	
LF-35	5	15.0	15.0	4.0	25.2	---	55	95	Φ4
LF-50	5	16.5	16.5	5.2	29.5	---	50	100	Φ5
LF-501	2	15.0	14.0	5.2	23.0	---	65	135	Φ5
LF-502	1	13.0	11.8	5.0	25.5	---	60	120	Φ5
LF-503	1	16.5	15.0	5.2	30.0	---	108	184	Φ5
LF-60	6	18.5	14.0	6.0	15.5	---	40	70	Φ6
LF-65	2	20.5	20.0	6.5	33.0	---	105	195	Φ6.5
LF-70	4	15.5	14.0	7.0	18.0	22.0	35	75	Φ7
LF-702	1	17.0	15.0	7.0	30.0	---	65	120	Φ7
LF-75	5	21.0	21.0	7.5	39.0	---	80	150	Φ7.5
LF-801	3	19.5	23.0	8.1	17.0	23.0	50	100	Φ8
LF-802	3	19.5	23.0	8.1	20.0	26.0	50	100	Φ8
LF-901	4	20.5	19.5	9.0	31.5	35.5	90	210	Φ9
LF-902	1	19.5	18.0	9.0	35.0	---	80	160	Φ9
CT-0933	1	20.9	20.9	9.3	41.8	---	105	190	Φ9
CT-0933-2B	1	22.0	23.5	9.3	43.0	---	100	180	Φ9
LF-100	2	25.5	23.5	10.0	33.0	---	100	200	Φ10
LF-101	3	24.5	28.5	10.2	13.5	20.0	30	70	Φ10
LF-102	1	21.5	20.0	10.0	35.0	---	80	140	Φ10
LF-110	4	20.5	21.0	11.0	32.0	36.0	80	130	Φ11
LF-120	3	28.0	32.0	11.5	18.0	24.0	45	100	Φ11.5
LF-130	2	31.5	30.0	13.0	33.0	---	105	170	Φ13
LF-1301	1	23.5	22.5	13.0	36.0	---	60	130	Φ13
LF-1302	4	31.5	30.5	13.0	34.0	39.0	80	130	Φ13
LF-150	3	29.0	33.0	15.0	15.5	21.5	30	75	Φ15
LF-190	2	29.2	29.4	19.4	42.0	---	80	160	Φ19



**CORE MASTER ENTERPRISE CO., LTD.**

<http://www.coremaster.com.tw>